



L051

Submersible Pressure Transmitter

Level-L051

www.eyc-tech.com

| Features |

- Housing SS316 outer, diameter 27 Ø
- Compact and rugged design and easy to install
- With reasonable price, high accuracy and good stability in a long-run
- Cable material: PVC or PTFE

| Applications |

This submersible pressure transmitter is easy to apply in open container and rivers / Plunge the transmitter into the bottom of rivers and you can get level signal of lower limit and upper limit / Drinking water equipment / Pit sinking / Waste water plant / Big container and barrel / Flow current (rivers and lakes)

| Specification |

Input

| | | | | | | |
|----------------------|--------------------------|-----|---|---|---|----|
| Sensor type | Piezoresistive diaphragm | | | | | |
| Input type | Level | | | | | |
| Measuring range | 0 ... 10 bar | | | | | |
| Cable overload range | Pressurs range | 0.5 | 1 | 2 | 5 | 10 |
| | Overload range | 2.5 | 3 | 4 | 7 | 15 |

Output

| | |
|------------------------------|---|
| Output | 4 ... 20 mA |
| Signal connection | 2-wire |
| Linear accuracy | ±0.5% of F.S. |
| Load resistance | [Ohm] ≤ (Operating voltage 10V) / 0.02A-0.15Ω x cable length(M) |
| Response time | ± 10% of zero-point and full-scale |
| (ZERO & SPAN)adjustment span | |
| Response time | ≤ 5 ms |

Environment

| | |
|-----------------------|------------------|
| Medium | Liquid |
| Operating temperature | 0 ... 50°C |
| Operating humidity | 0 ... 100%RH |
| Storage temperature | -25 ... +60°C |
| Zero-point error | ±0.2% F.S. / 10K |

Electrical

| | |
|------------------------|----------------|
| Power supply | DC 10 ... 30 V |
| Current consumption | ≤ 21 mA |
| Overvoltage protection | < DC 33 V |
| Electrical connection | Specific cable |

Installation

| | |
|--------------|-------------|
| Installation | Submersible |
|--------------|-------------|

Protection

| | |
|-----------------------|--|
| IP rating | IP68 |
| Electrical protection | <input checked="" type="checkbox"/> Polarity protection <input checked="" type="checkbox"/> Over-voltage <input checked="" type="checkbox"/> Short circuit |

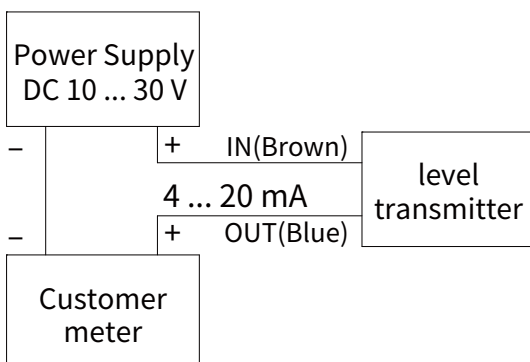
Certification

| | |
|---------------|----|
| Certification | CE |
|---------------|----|

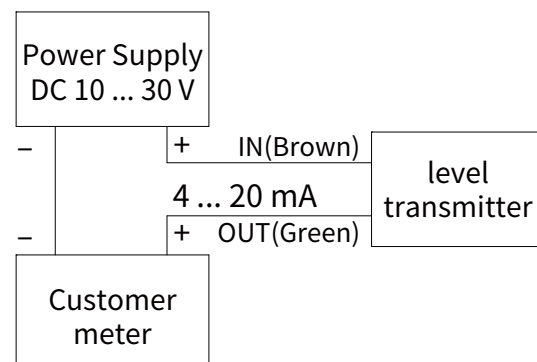
Material

| | |
|------------------------|------------|
| Housing | SUS 316 |
| Wetted part | SUS 316 |
| Cable | PVC / PTFE |
| Weight (w / o cable) | 350 g |

| Connection Diagram |

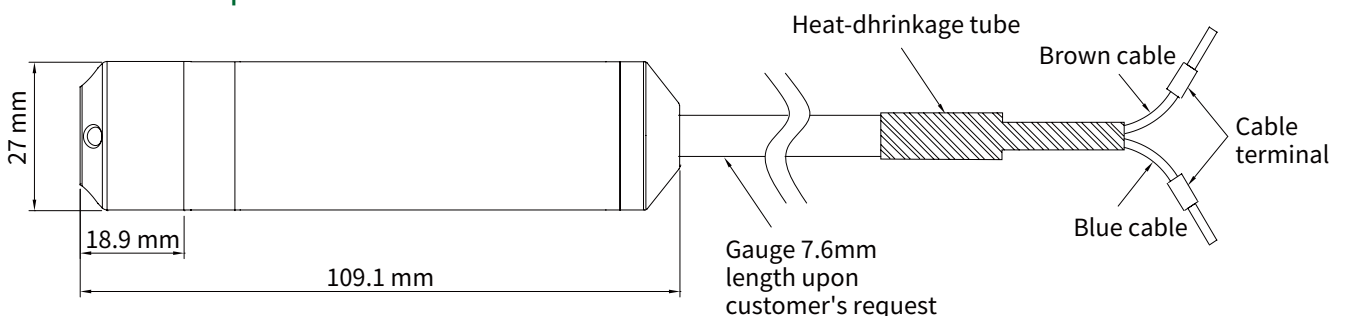


PVC cable



PTFE cable

| Dimension |



| Ordering Guide |

| | | | | | | | | |
|-----|------------------------|---|--|--------------------|--------------------------|--|---|----------------------------|
| L05 | Appearance 1 | — | Pressure range 06 | Output 1 | Power supply 0 | Cable length 08 | — | Cable material 1 |
| | 1 : 27 Ø | | 03 : 0.25 bar 04 : 0.4 bar 06 : 0.6 bar 11 : 1.0 bar 12 : 1.6 bar 13 : 2.5 bar 14 : 4.0 bar 16 : 6.0 bar 21 : 10 bar | 1 : 4 ... 20 mA | 0 : DC 10 ... 30 V | 05 : 5 m 06 : 6 m 08 : 8 m 12 : 12 m 18 : 18 m 27 : 27 m 42 : 42 m 62 : 62 m A2 : 102 m 00 : Option | | 1 : PVC 2 : PTFE |

| Additional Option Test Report |

■ ILAC / TAF

YUDEN-TECH CO.,LTD. Calibration Laboratory - (ILAC / TAF) Test report.

(TAF accreditation:3032, complying with ISO / IEC 17025) TAF has mutual recognition arrangement with ILAC MRA

| Project | Measurand level or range |
|----------------------|----------------------------------|
| Pressure transmitter | Gauge pressure : 10 ... 7000 kPa |

■ ISO 9001

| Project | Measurand level or range |
|----------|-------------------------------------|
| Pressure | Relative pressure : \leq 6000 kPa |