

Temperature Sensors



DP CONTROLS

DPCONTROLS SDNBHD

NO.42,JALANK UC HAIMAJ U11,KUC HAIEN TR EPRENEU RPARK,
JALANKUCHAILAM A,58200 KUALA LUMPU R.

Tel:+6037980 0 808 | Fax:+ 6037 9 8002 0 2
<http://www.dpcontrols.com.my>
E-mail:info@dpcontrols.com.my



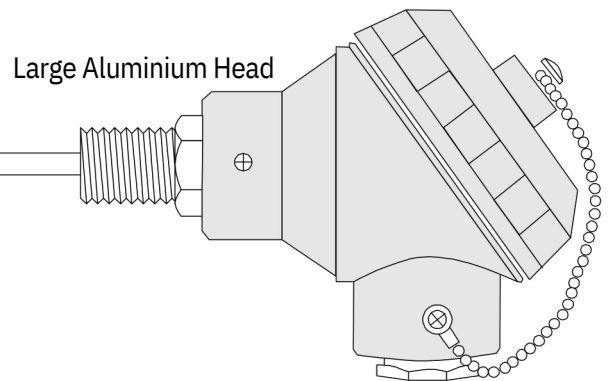
Mineral Insulated Thermocouples with Head and Process Fitting



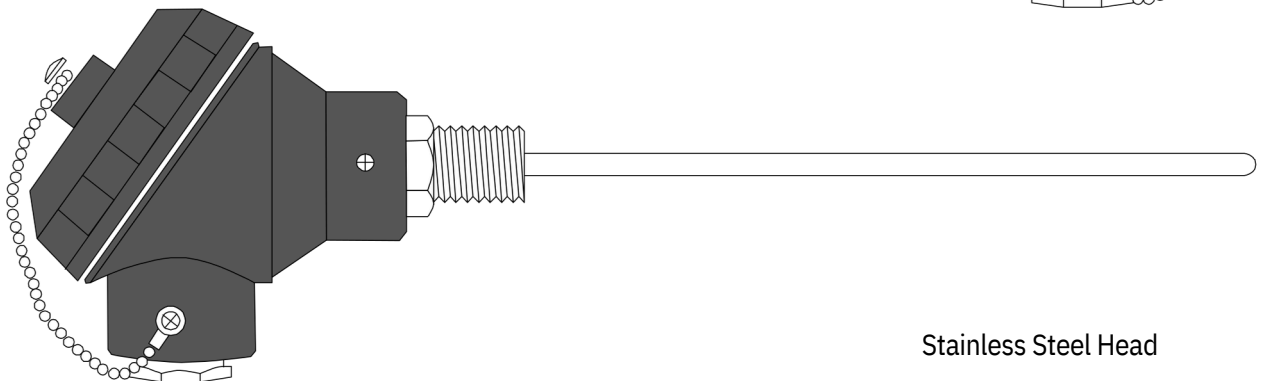
General Specifications:

- K, J, T and N calibration
- Temperature range from -200 to +1250°C
- Isolated and Bonded Hot Junctions
- Various sheath materials for different environments (Inconel 600, 310SS, Cupro-Nickel, Microbell)
- Sheath diameters from 1.0 mm to 10.8 mm
- Various protection heads, (Bakelite, Aluminium, Stainless Steel, Polypropylene, Cast Iron)

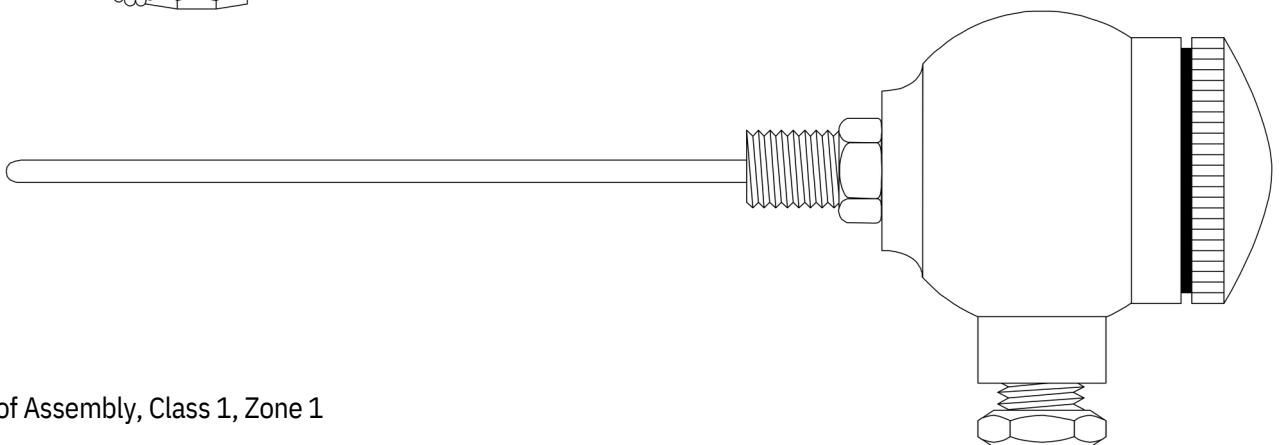
Optional head-mount transmitter, Model: XU2HI (Isolated)



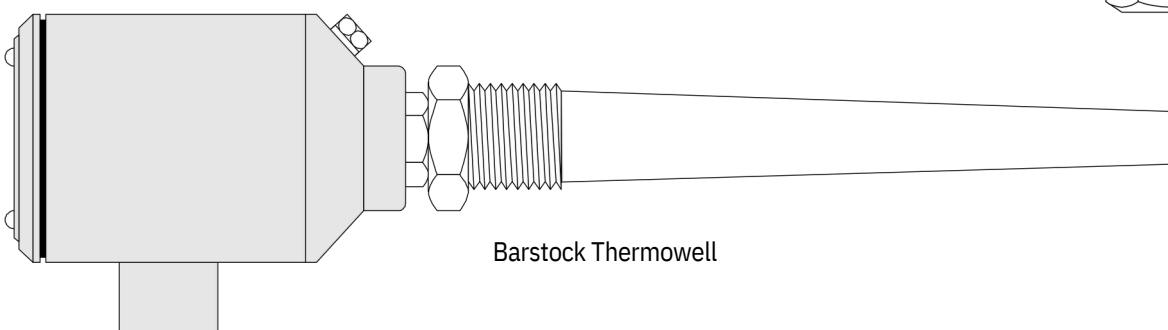
Large Bakelite Head



Stainless Steel Head



Flameproof Assembly, Class 1, Zone 1



Barstock Thermowell

Mineral Insulated Thermocouples with Head and Process Fitting



Item	Code			Specification
Model	MTHP-			
Hot Junction		I		Isolated Junction (Standard)
		B		Bonded Junction
Outer Diameter		3.0		Millimetres
		4.5		Millimetres
		5.5		Millimetres
		6.0		Millimetres
		10.8		Millimetres
		X		Millimetres
Calibration		K		Thermocouple
		J		Thermocouple
		T		Thermocouple
		N		Thermocouple
		2K		Duplex Thermocouple
		2J		Duplex Thermocouple
		2T		Duplex Thermocouple
		2N		Duplex Thermocouple
Sheath Material		600-		Inconel (K, N) *1
		310-		Stainless Steel (K, J)
		CNT-		Cupro Nickel (T)
		NCB-		Nicrobell (N, K) *2
		X-		Other
Sheath Length		□□□		Millimetres *3
Sheath Loading		F		Fixed (Standard)
		S		Spring Loaded
Process Connection		P		½" BSP SS (Standard)
		X		Other
Protection Head		LA		Large Aluminium
		LB		Large Bakelite
		LP		Large Polypropylene
		SS		Stainless Steel
		CI		Cast Iron
		FP		Flame Proof *4

*1 Inconel is a registered trade name of Henry Wiggin & Co Ltd.

*2 Nicrobell is a trademark of Nicrobell Pty Ltd.

*3 Sheath Length from sheath to tip Hex. of process fitting.

*4 Flame Proof Head must be used with a Barstock Thermowell.

Note: The above covers the more common Thermocouple probes. We can supply probes to your particular specification.