



Modular high-voltage battery cabinet

Residential ESS

LNT-HV51100 5.12kWh Module

R20/ R25/ R35/ R35/ R40/ R45/ R50/ R60K



Safe and reliable

Cathode material is made from LiFePO4 with safety performance and long cycle life



Flexible configuration

Multiple battery modules can be in parallel for expanding capacity and power



Convenient

Quick installation standard of 19 inch embedded designed module is comfortable for installation and maintenance



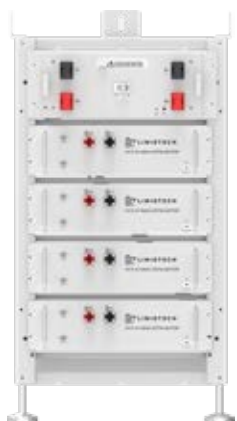
Intelligent BMS

protection functions including over discharge, over charge, over current and over high or low temperature



Eco friendly

The whole module is non toxic, non polluting and environmentally friendly



20kWh



30kWh



40kWh

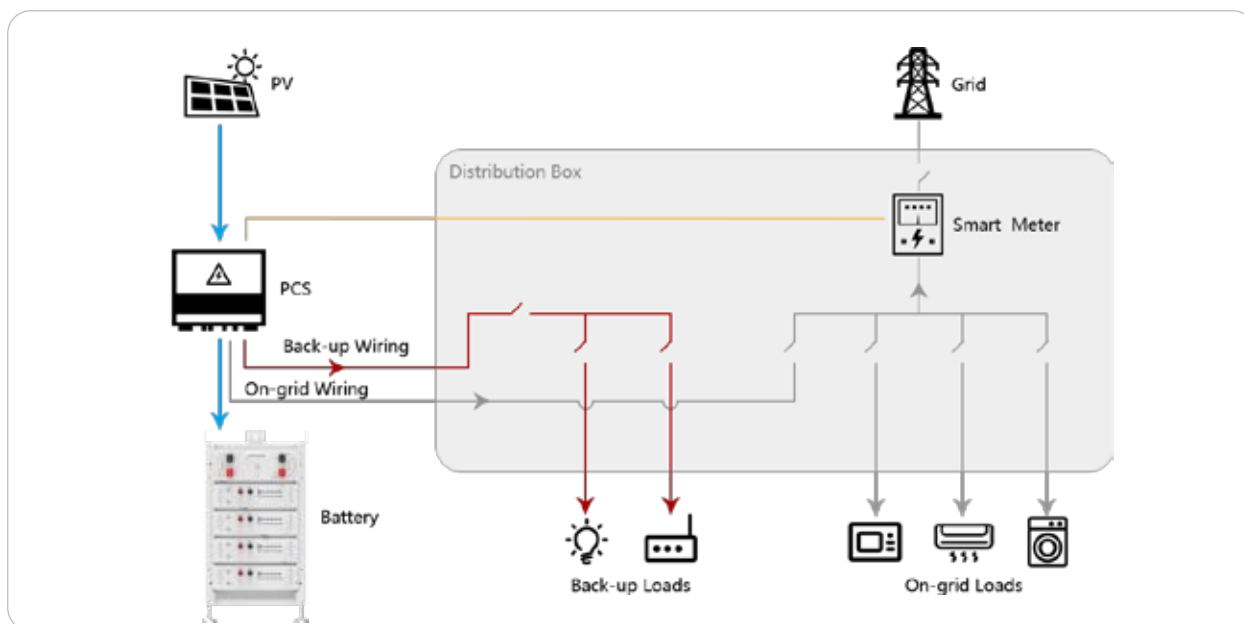


50kWh



60kWh

Datasheet



Model	LNT-R20K	LNT-R25K	LNT-R30K	LNT-R35K	LNT-R40K	LNT-R45K	LNT-R50K	LNT-R55K	LNT-R60K
Nominal Capacity (kWh)	20.48	25.60	30.72	35.84	40.96	46.08	51.20	56.32	61.44
Cell Matching	64S1P	80S1P	96S1P	112S1P	128S1P	144S1P	160S1P	176S1P	192S1P
Nominal Voltage (V)	204.8	256	307.2	358.4	409.6	460.8	512	563.2	614.4
Working Voltage Range (V)	176-230.4	220-288	264-345.6	308-403.2	352-460.8	396-518.4	440-576	484-633.6	528-691.2
Weight (kg)	201.4	268	309.6	351.2	392.8	434.4	499	540.6	582.2
Dimension (WxDxH mm)	553*503 *1011	553*503 *1620	553*503 *1620	553*503 *1620	553*503 *1620	553*503 *1620	553*503 *2230	553*503 *2230	553*503 *2230
Battery Type	LFP(LiFePO4)								
Nominal Working Current	100A								
Communication Port	CAN//TCP/IP								
Working Temperature Range	Charge:0-55°C/Discharge:-20-60°C								
Waterproof	IP20								
Installation Method	Floor-standing								
Cycle Life	6500								
Warranty Period	10 years								
Peak Charge/Discharge Current (@25°C,5S)	125A								
Discharge Rate of Module	≤ 3.5%/month/@25°C								
Parallel Connection	5 units in parallel								

If the size and parameters of the product are changed, the latest information will prevail without further notice.