

Temperature Sensors



DP CONTROLS

DPCONTROLS SDNBHD

NO.42,JALANK UC HAIMAJ U11,KUC HAIEN TR EPRENEU RPARK,
JALANKUCHAILAM A,58200 KUALA LUMPU R.

Tel:+6037980 0 808 | Fax:+ 6037 9 8002 0 2
<http://www.dpcontrols.com.my>
E-mail:info@dpcontrols.com.my

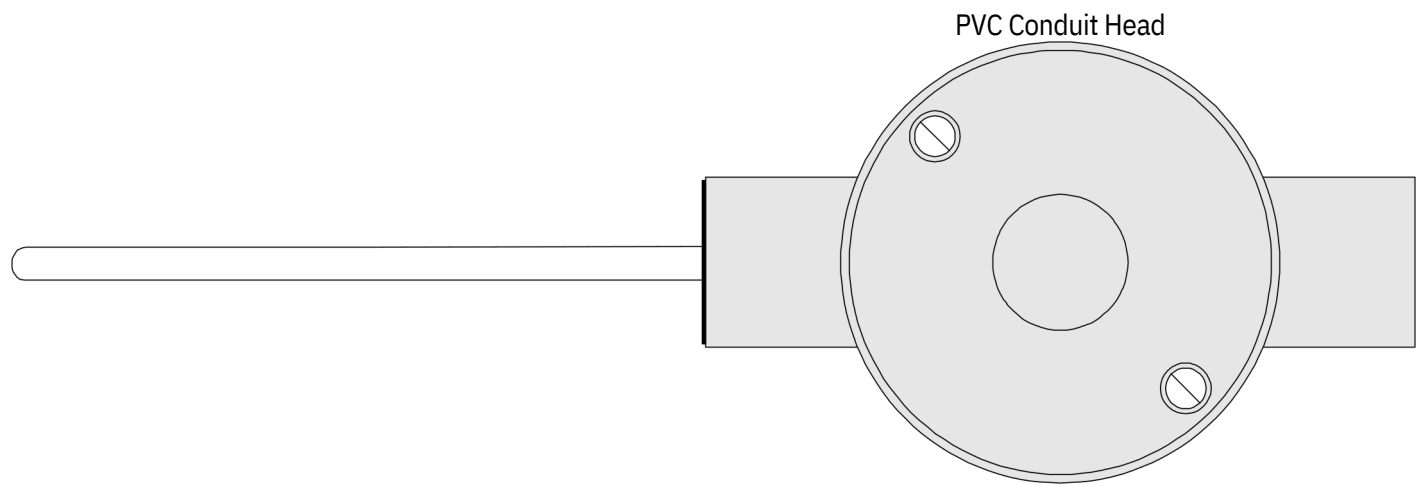


Wall Mounted RTD Assembly

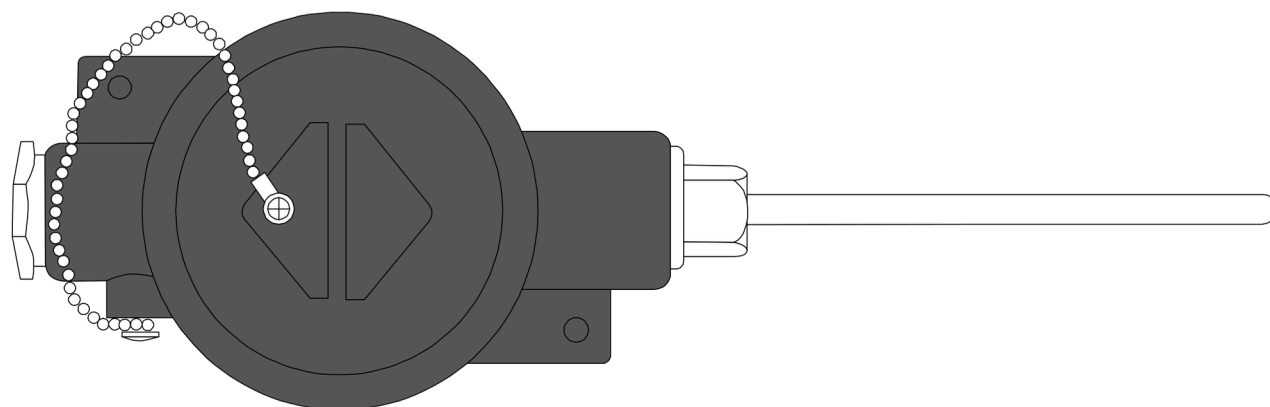


General Specifications:

- RTD Pt100 Din standard element
- Temperature ranges from -40 to +110°C
- Sheath materials 304SS and 316SS
- Optional head-mount transmitter, Models:
 - XU2HN (Non-Isolated)
 - XU2HI (Isolated)



Black Alloy Head



Item	Code		Specifications
Model	WMR-		Single Duplex Others Millimetres
Element	S		(Standard, 304SS) * Millimetres
	D		Millimetres (Standard)
	X		Millimetres Millimetres Conduit
Outer Diameter		6.4-	Box [PVC] (-20/80°C) Alloy Head
Sheath Length		X-	(-40/110°C) None Head-Mount
		100	Transmitter None 0 to 50°C -50
		150	to +50°C Others None Cable
		□□□	Gland for Conduit Box
Connection Transmitter		CB-	
		AH-	
Transmitter Range		N	
		TX	
		N-	
		05-	
		55-	
		X-	
Accessories		N	
		C	

* 316SS material available on request.

Note: The above covers the more common RTD probes. We can supply probes to your particular specification.