

Temperature Sensors



DP CONTROLS

DPCONTROLS SDNBHD

NO.42,JALANK UC HAIMAJ U11,KUC HAIEN TR EPRENEU RPARK,
JALANKUCHAILAM A,58200 KUALA LUMPU R.

Tel:+6037980 0 808 | Fax:+ 6037 9 8002 0 2

<http://www.dpcontrols.com.my>

E-mail:info@dpcontrols.com.my



RTD Food Probes

General Specifications:

- RTD Pt100 DIN standard element
- Temperature range from -30°C to +180°C
- Varying sheath materials
- Various RTD transmitters are also available to suit your particular application

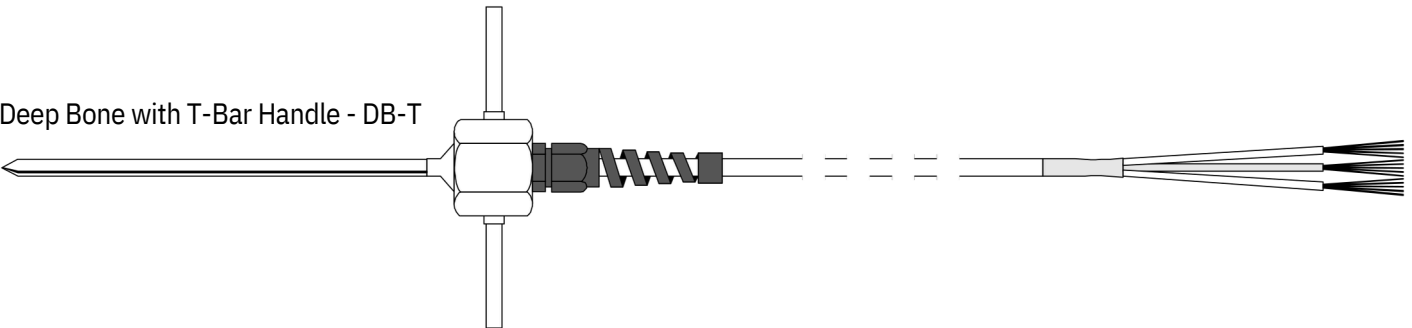


Deep Bone with Ring Handle - DB-R

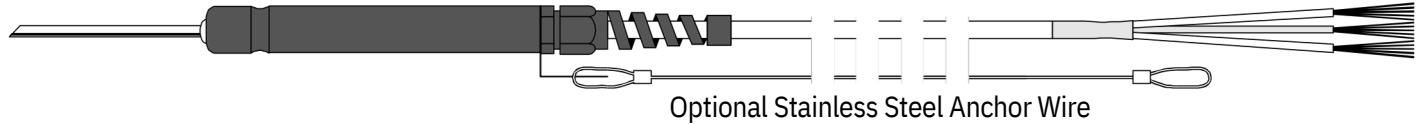
Deep Bone - DB



Deep Bone with T-Bar Handle - DB-T

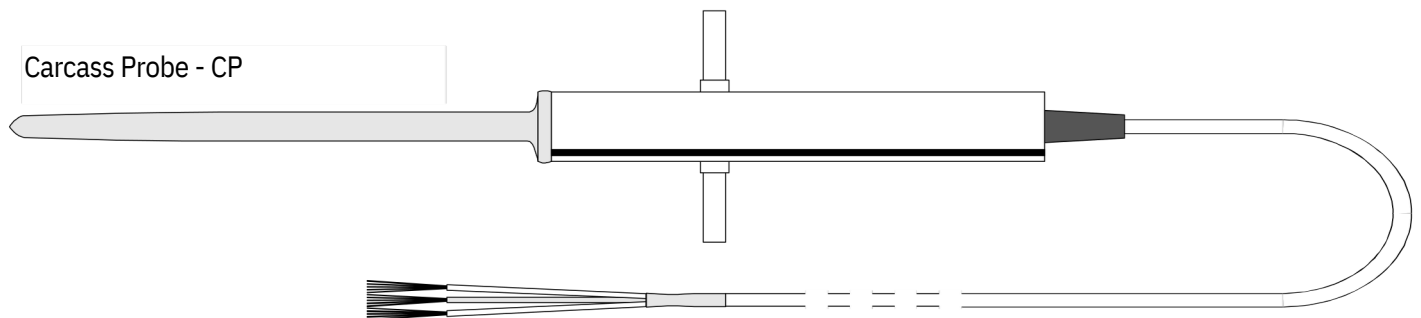


Fruit Probe - FP

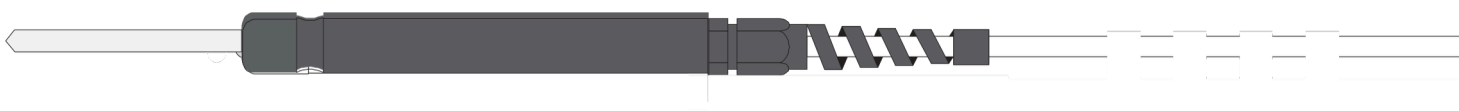


Optional Stainless Steel Anchor Wire

Carcass Probe - CP



Meat Carton Probe - MC



RTD Food Probes



Item	Code		Specification
Deep Bone Probe			
Model	DB		
	DB-T		T-Bar Handle
	DB-R		140mm Ring Handle
Outer Diameter	6.4		Millimetres (Standard)
	X-		Others
Sheath Length	150		Millimetres (Standard)
	□□□		Millimetres
Lead Lead	C		3 Core Silicone 14/0.15 (-30/180°C)
	X		Others
Length		7000	Millimetres (Standard)
		□□□□	Millimetres
Fruit Probe			
Model	FP		
Outer Diameter	3.3		Millimetres (Standard)
	X-		Others
Sheath Length	50		Millimetres (Standard)
	□□□		Millimetres
Lead	A		3 Core PVC 16/0.2 (-30/150°C)
	C		3 Core Silicone Rubber 14/0.15 (-30/180°C)
	X		Others
Lead Length		10000	Millimetres (Standard)
		□□□□	Millimetres
Accessories		N	None
		W	Stainless Anchor Wire
Carcass Probe			
	CP		
Model Outer	10		Millimetres (Standard)
	X-		Others
Diameter Sheath	100		Millimetres (Standard)
	□□□		Millimetres
Length Lead	C		3 Core Silicone 14/0.15 (-30/150°C)
	X		Others
Lead Length		4000	Millimetres (Standard)
		□□□□	Millimetres
Meat Carton			
	MC		
Model Outer	6.4		Millimetres (Standard)
	X-		Others
Diameter Sheath	150		Millimetres (Standard)
	□□□		Millimetres
Length Lead	C		3 Core Silicone Rubber 14/0.15 (-30/150 °C)
	X		Others
Lead Length		4000	Millimetres (Standard)
		□□□□	Millimetres

Note: The above covers the more common RTD probes. We can supply probes to your particular specification.