

# Temperature Sensors



DP CONTROLS

DPCONTROLS SDNBHD

NO.42,JALANK UC HAIMAJ U11,KUC HAIEN TR EPRENEU RPARK,  
JALANKUCHAILAM A,58200 KUALA LUMPU R.

Tel:+6037980 0 808 | Fax:+ 6037 9 8002 0 2  
<http://www.dpcontrols.com.my>  
E-mail:[info@dpcontrols.com.my](mailto:info@dpcontrols.com.my)



## Mineral Insulated RTD Probe with Head and Process Fitting

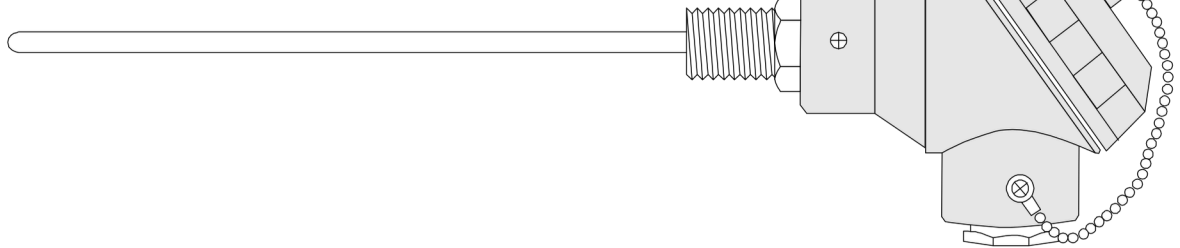


### General Specifications:

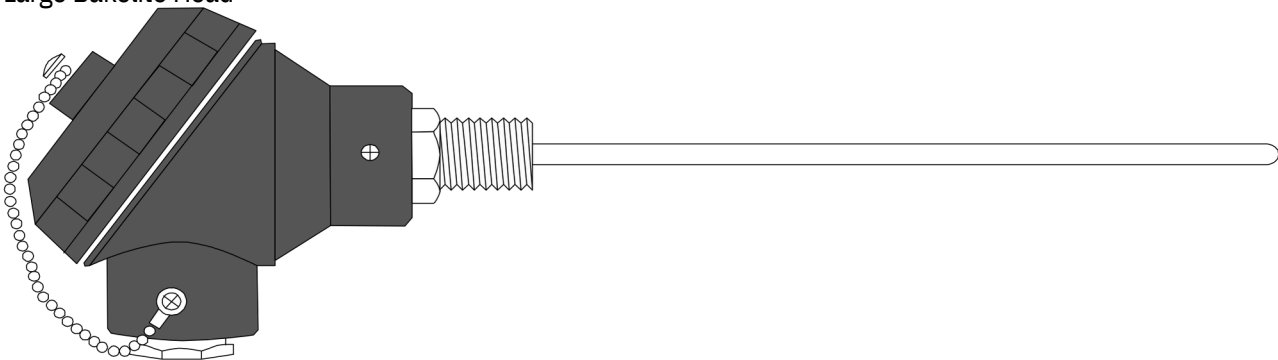
- RTD Pt100 DIN Standard Element
- Temperature range from -190 to +500°C
- All Sheath Material 316SS
- Various terminal heads
- Optional head-mount transmitter, Models:

- XU2HN (Non-Isolated)      XU2HI (Isolated)

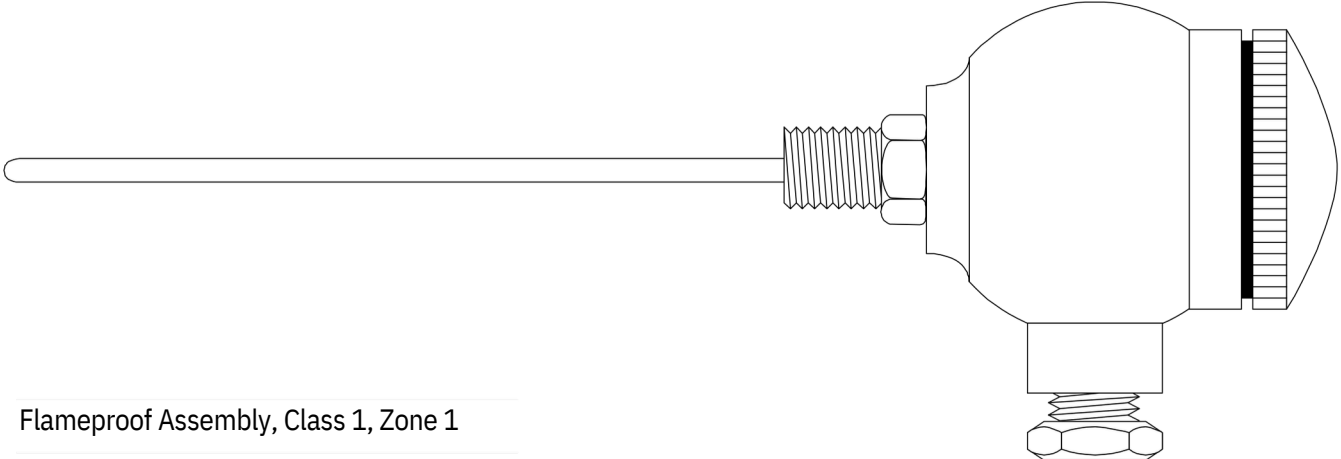
Large Aluminium Head



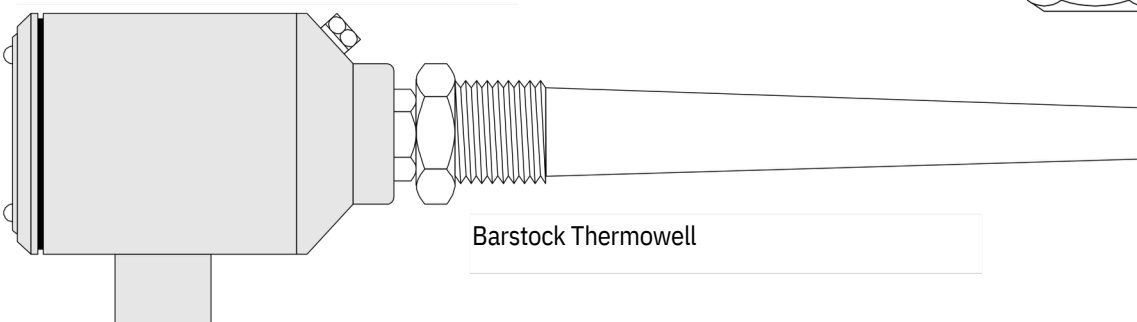
Large Bakelite Head



Stainless Steel Head



Flameproof Assembly, Class 1, Zone 1



Barstock Thermowell

### Head and Process Fitting

Item	Code		Specification
Model	MRPH-		
Element	S		Single
	D		Duplex
	X		Others
Outer Diameter	6.4-		Millimetres (Standard)
	X-		Other
Sheath Length		□□□	Millimetres
Sheath Loading		F	Fixed (Standard)
		S	Spring Loaded
Protection Head		LA	Large Aluminium
		LB	Large Bakelite
		LP	Large Polypropylene
		SS	Stainless Steel
		FP	Flame Proof *1
Transmitter		N	None
		TX	Head-Mount Transmitter *2
Transmitter Range		N-X	None
		□□	See Measuring Range Code
			Other
Accessories		P	½" BSP Process Fitting
		X	Other

\*1 Flame Proof Head must be used with a Barstock Thermowell.

\*2 Fits Large Head only.

### Measuring Range Codes

Measuring Range	Code
-50 to +50°C	55
0 to +50°C	05
0 to +100°C	10
0 to +150°C	15
0 to +200°C	20
0 to +250°C	25
0 to +300°C	30

Note: The above covers the more common RTD probes. We can supply probes to your particular specification.