



# RTD Adjustable Immersions Sensor

A1RTD1-D08L10-01



## Overview

- All temperature sensors are custom made standard item
  - 100 ohm platinum RTD 3-wire element
  - Class A accuracy
  - Spring adjustable allows for variable immersion depths
  - Integral bayonet cap makes installation quick and easy when used with a bayonet adaptor or pipe clamp adaptor
- Others
  - Required others type of RTD sensor ,specification & temperature range can be custom made upon request.

## RTD Probes with Lead Wire Transition

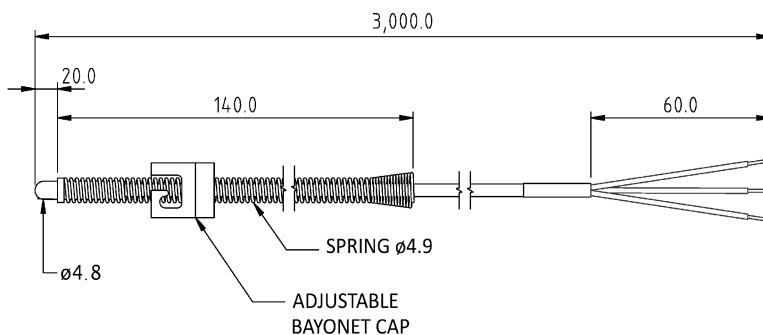
Part Number	RTD Type	Sensor Dimensions	Probe Length	Temperature Sensing Range	Attached Plug size
A1RTD1-D08L10-01	PT100 CLASS A 3 wire	20mm length x4.8O.D sensing tip ,140mm length x4.9mmO.D spring	3meter	-200 to 300°C	Bayonet fitting cap 12mm inside diameter, single slot Mount with bayonet fitting adaptor

## Technical Specifications

<b>Sensing Element</b>	Single 100 ohm platinum (PT 100) , 3 wire
<b>Initial Accuracy</b>	Class A +/- [0.15 + 0.002  t  ] ° C
<b>Probe</b>	20mm length x4.8mm O.D. Sensing tip,304 stainless steel sheath
<b>Wiring</b>	Staranded 24AWG wire leads with stripped ends ,fiberglass insulation and stainless steel overbraid

## Dimension

A1RTD1-D08L10-01



## Wiring Information

