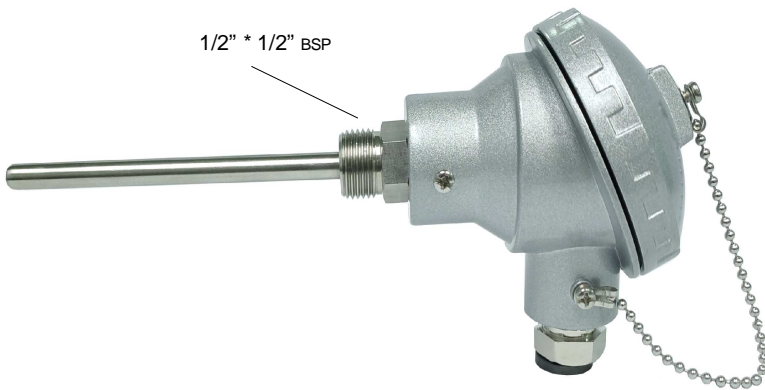




RTD Spring-Loaded Probes with Connection Head

A1RTD1-CXX- 03

1/2" * 1/2" BSP

**Overview**

- All temperature sensors are custom made standard item
 - Probe
 - Spring loaded for positive tip contact in thermowells
 - 100 ohm platinum RTD 3-wire element
 - Class A accuracy
 - Ø6.35mm diameter, 316 SS sheath to protect against harsh environments
 - RTD element encased in Magnesium Oxide (MgO) powder insulation provides excellent vibration dampening and heat transfer
 - 150mm , 300mm or 450mm probe length
 - Connection Head
 - Cast aluminum IP67 screw cover head with gasket
 - One turn cover removal & installation eliminates cross threading and saves time
 - ½"BSP conduit opening with internal stop to prevent overtightening and installation damage
 - Gripping ribs on cover edge
 - with cover chain
 - Wiring
 - Ceramic terminal block
 - Brass terminals with screws eliminate the need to wrap connections around screws
 - Others
 - Required others type of RTD sensor ,specification & temperature range can be custom made upon request.

RTD Spring-Loaded Probes with Connections Head

Part Number	RTD Type	Probe Diameter (O.D)	Probe Length	Temperature Sensing Range	Mounting
A1RTD1-C04-03	PT-100 3 wire	6.35mm	100mm	-200 to 300°C	Integral 1/2" x 1/2" BSP 304 SS
A1RTD1-C06-03			150mm		
A1RTD1-C12-03			300mm		

Technical Specifications

Sensing Element	Single 100 ohm (PT 100) , 3 wire
Initial Accuracy	Class A +/- [0.15 + 0.002 t] ° C
Probe	Ø6.35mm ,316 stainless steel sheath,single RTD is embedded in MgO powder
Connection Head	Die-cast aluminum,screw cover with chain,IP67, 1/2"BSP conduit opening
Wiring	Connection head: Ceramic terminal base with brass terminal and screw



RTD Spring-Loaded Probes with Connection Head

Dimension

A1RTD1-CXX -03

Wiring Information

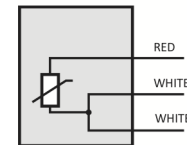
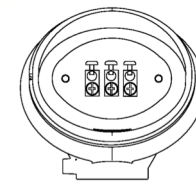
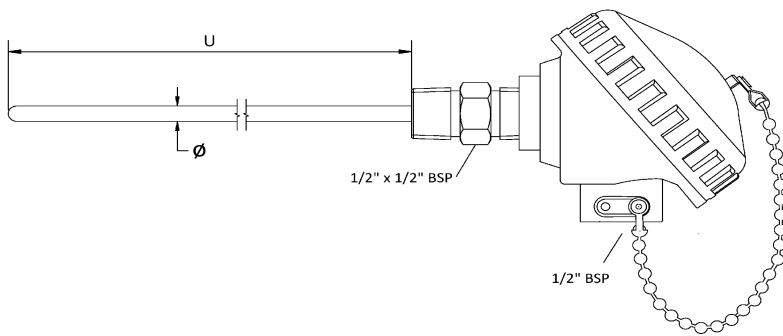


TABLE A	
PART NUMBER	U LENGTH
A1RTD1-C04-03	100mm
A1RTD1-C06-03	150mm
A1RTD1-C12-03	300mm

- Ignore polarity marks on terminal base
- Recommended screw terminal tightening torque 3-4 lb-in